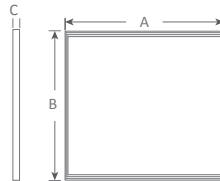
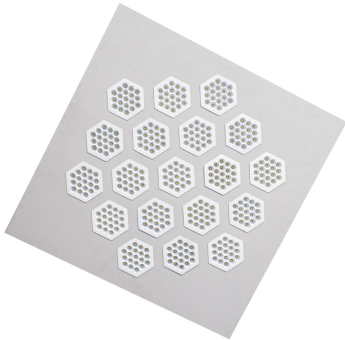


OPERATING MANUAL

Hera-N LED Panel Light - Basic

Important: Please read the instruction manual carefully prior to installation and keep it for future reference.



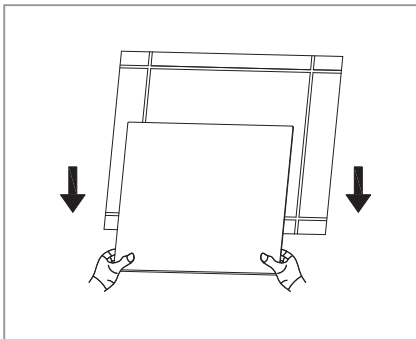
Dimensions

A	B	C
596mm	596mm	12mm

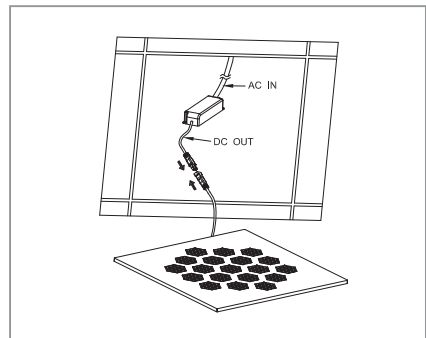
Mounting: Recessed mounted
Light features:
Ra: >80
Life Time: 5 years
Light Source: LED SMD2835
Input: 220V-240VAC 50/60Hz

Ordering Code	Power (W)	Description	Lumens /lm		
			3000K	4000K	5000K
H6060-N 36 000	36	LED Panel Light - Basic	3600	3750	3900

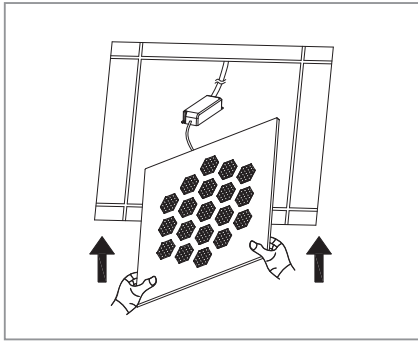
Installation:



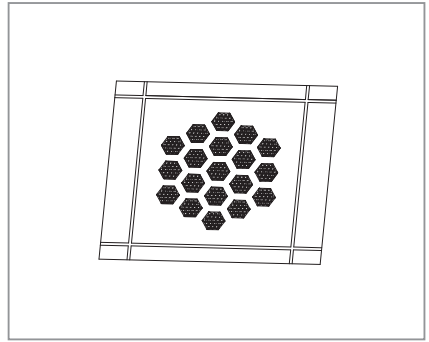
1. Remove the ceiling board.



2. a. Connect AC input to the power.
b. Connect DC output to the plug of panel light.
* Please DO NOT mix up the AC and DC ends.



3. Install the panel light into the ceiling groove.



4. Make sure the panel light is placed steadily, then power on.

Caution:

1. The product must be installed by professional technicians and power supply must be cut off before installation.
2. The diameter for AC input wire is 0.75mm^2 (complying with 60245 IEC57), which complies with the latest IEE electrical standards or national standards.
3. Do not touch the electronic circuit and its components.
4. Contact an authorised technical service centre for any repairs possibly required use only original spare parts.
5. Do not touch LED while installing or maintaining.
6. Sealing the entrance hole with glue after install is needed.
7. The light source contained in this luminaire shall only be replaced by the manufacturer or his service agent or a similar qualified person.

IP20

5 year
warranty

CE

RoHS