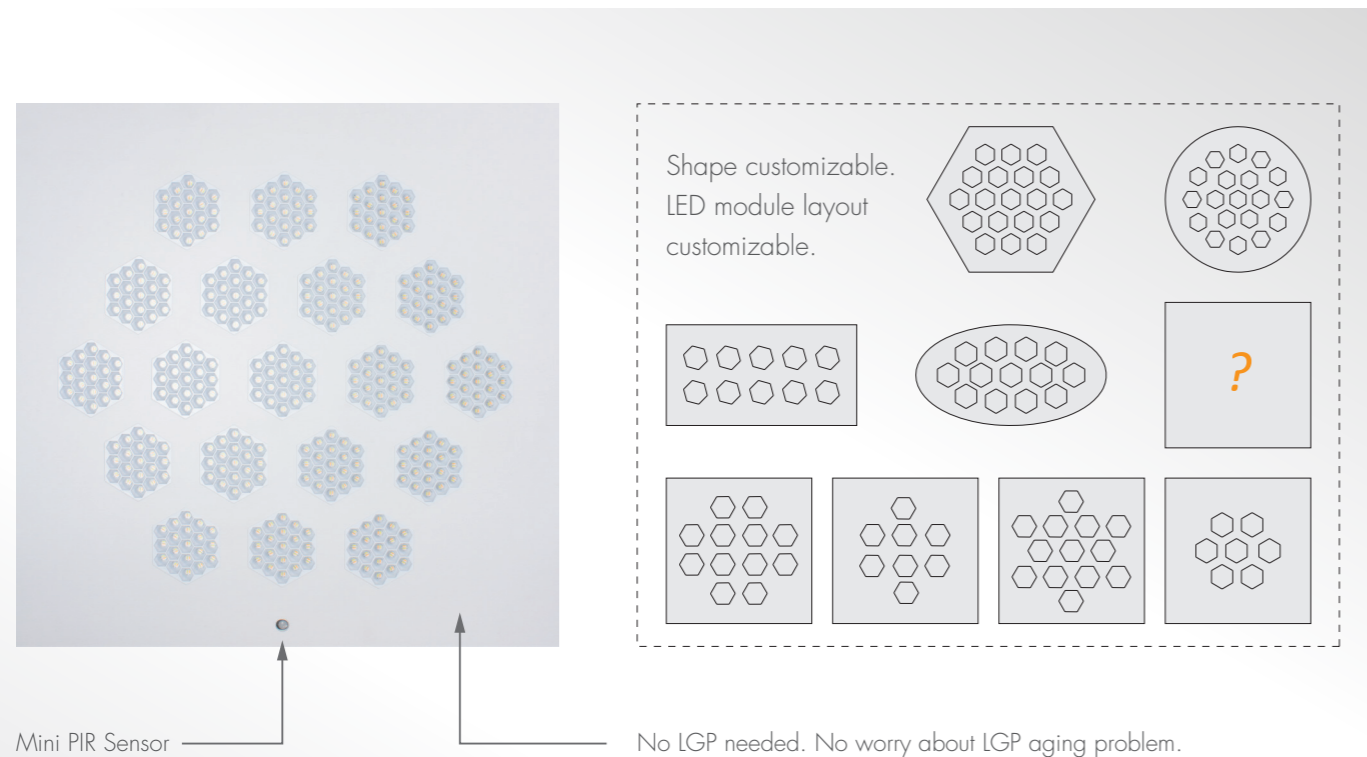


HERA-N H6060-N



White
RAL9003



Features & Benefits

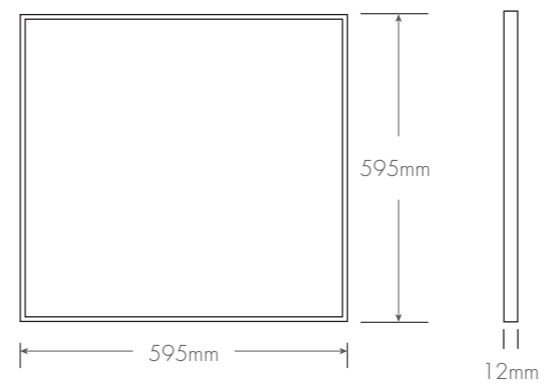
Hera-N is a design and customizable panel light, direct emitting with excellent luminous efficiency and low UGR. It is ideal for offices, classrooms/education, health facilities, halls, corridors, living rooms.

- Shape customizable • LED module layout customizable
- With Linect system, plug ' n ' play, quick loopable connection
 - With Hytronik's Quick Connect Boxes (QCB series), wiring processes is simplified, easy plug ' n ' play
- Recess mounted • Ceiling, or suspension mounted via accessory
- Optional selectable color temperature • Optional selectable power
- Wide choice of intelligent functions, with/without Bluetooth, human centric, sensor, emergency, DALI, etc.

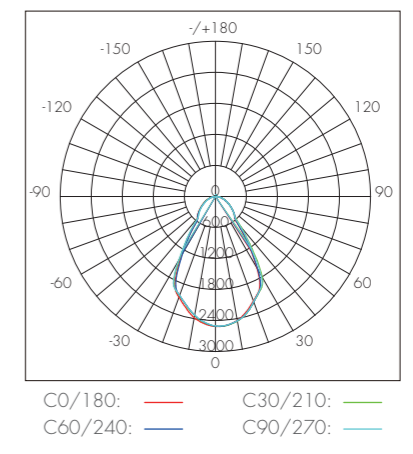
Function



Dimensions



Photometrics



Lumen Output

Model	Power	Colour Temp.	3000K	4000K	5000K		Fixed Colour Temp. & Lumen Efficiency		
H6060-N	36W	Fixed	3600lm	3750lm	3900lm	(±10%)	3000K, 100lm/W	4000K, 104lm/W	5000K, 108lm/W

Model	Power	Colour Temp.	2700K	4000K	6500K		Changable Colour Temp. & Lumen Efficiency		
H6060-N	36W	Changable	3348lm	3492lm	3600lm	(±10%)	2700K, 93lm/W	4000K, 97lm/W	6500K, 100lm/W

• Customized higher lumen output available

Specification

Input Voltage	CRI	Power Factor	SDCM	Beam Angle	Operation Temp.	IP	Fitting Material	Class
220~240VAC	>80	>0.9	3	65°	-20°C~+40°C	IP20	PVC+PC	II

Lifespan	Standard	Emergency Lumen	Battery
L70B50: 100,000h	EN60598-2-1/EN55015/EN62778/EN60598-2-22	200lm~400lm	3h Duration

Carton (L x W x H)	QTY/CTN	QTY/20'GP	QTY/40'GP	QTY/40'HQ
64 x 16.5 x 64.5 cm	4 pcs	1468 PCS / 367 CTNS	3228 PCS / 807 CTNS	3640 PCS / 910 CTNS