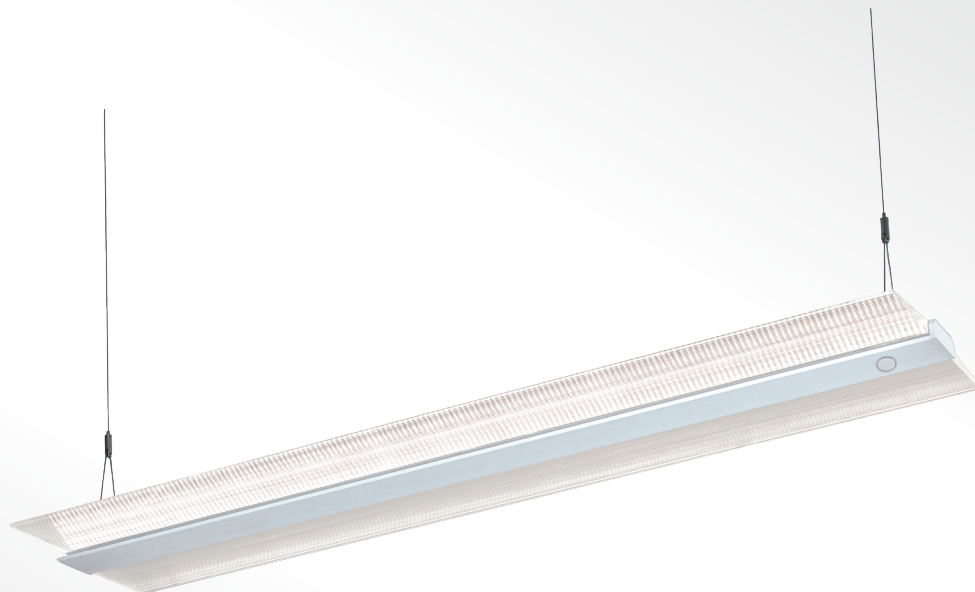


LINELLA P02



White

Grey



● Features & Benefits

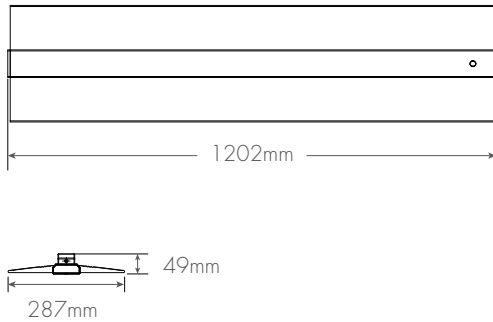
LP02 is a decorative pendant workplace luminaire that produces direct/indirect light. It is suitable for high-end office building, schools, hospitals, libraries, supermarkets and public building space, etc.

- 1 • High-quality aluminum alloy lamp body, optional color
 - Surface with brushed-aluminum original-color oxidation and electrostatic spray treatment
 - Weather resistance, corrosion resistance and wear resistance, no discoloration
- 2 • Diffuser made of imported high transmittance PMMA profile. High strength, high/low temperature resistance.
- 3 • Built-in high-brightness SMD light source • Uniform light, good anti-glare effect • Lighting efficiency up to 100 lm/W
- 4 • Installed in suspension
- 5 • Optional selectable color temperature • Optional selectable power
- 6 • Wide choice of intelligent functions, with/without Bluetooth, human centric, sensor, DALI, etc.

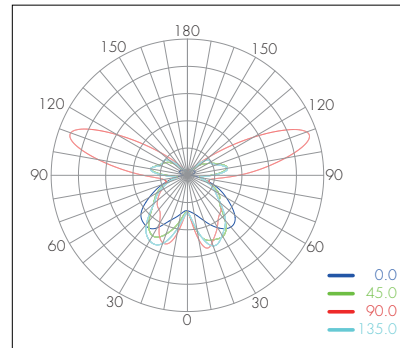
● Function



● Dimensions



● Photometrics



● Lumen Output

Model	Power	● 3000K ●	● 4000K ●	● 5000K ●		Colour Temp.	Lumen Efficiency
LPO2 1200	40W	3840lm	4000lm	4160lm	(±10%)	3000K	95 lm/W
LPO2 1200	60W	5760lm	6000lm	6240lm	(±10%)	4000K	100 lm/W
						5000K	105 lm/W

● Specification

Input Voltage	CRI	Power Factor	SDCM	Beam Angle	Operation Temp.	IP	Class
220~240VAC	>80	>0.9	3	270°	-20°C~+40°C	IP20	I

Fitting Material	Standard Lifespan	Premium Lifespan	Standard
Aluminum Housing + PMMA LGP	L70B50: 50,000h	L70B50: 125,000h / L80B10: 65,000h	EN60598-2-1/EN55015/EN62778

Carton (L x W x H)	QTY/CTN	QTY/20'GP	QTY/40'GP	QTY/40'HQ
121 x 33.5 x 9.5 cm	1 pcs	649 PCS / 649 CTNS	1428 PCS / 1428 CTNS	1610 PCS / 1610 CTNS

● Typical Application for Linella P02



8:00



10:00



12:00



14:00



16:00



18:00

With human centric lighting function, color temperature and brightness will change automatically according to the time of the day. End-user can easily choose pre-programmed curve or customize their own curve profile via Koolmesh Bluetooth APP, with a CCT change from 2700K to 6500K.

Default Profile for Office Application on Koolmesh Bluetooth APP

