

VENUS V290/V350



Tiltable PCB Plate

Anti-theft & retained screw design

- White
RAL9003
- Grey
RAL9006
- Black
RAL9004

• V350: White only

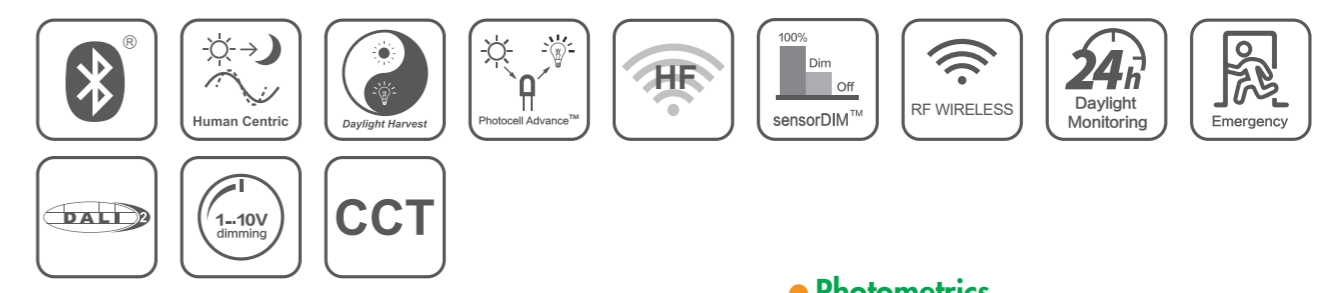


● Features & Benefits

Venus is a robust PC luminaire with strong & durable construction that satisfies the requirements of demanding environment. It is an ideal reinforcement for common access road, circulation spaces, hallways, stairwells, corridors, walkways, bathrooms, covered car parks and garages, technical rooms, balconies and terraces,

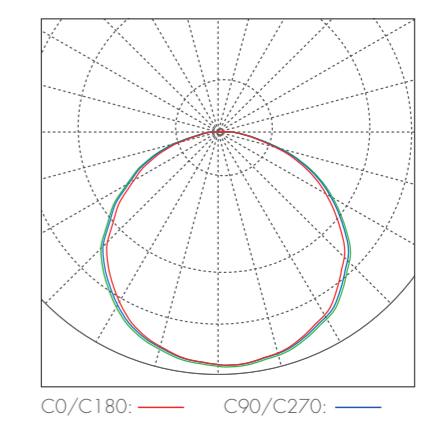
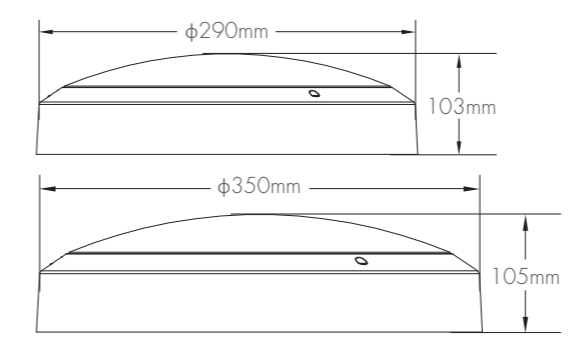
- 1 • Reserved BESA holes, Key holes • Cable entry from side and back • Through wiring from side to side
- 2 • IP65 water-proof • IK10 vandal-proof • UV-proof optional
- 3 • Optional selectable color temperature • Optional selectable power
- 4 • Ceiling / Wall mounted • Quick installation thanks to tiltable LED plate
- 5 • Wide choice of intelligent functions, with/without Bluetooth, human centric, sensor, emergency, DALI, etc.

● Function



● Photometrics

● Dimensions



● Lumen Output

Model	Power	3000K	4000K	5000K		Colour Temp.	Lumen Efficiency
V290	18W	1550lm	1650lm	1750lm	(±10%)	3000K	85 lm/W
V350	28W	2250lm	2400lm	2500lm	(±10%)	4000K	90 lm/W
						5000K	95 lm/W

• Customized higher lumen output available

● Specification

Input Voltage	CRI	Power Factor	SDCM	Beam Angle	Operation Temp.	IP/IK	Fitting Material	Class
220~240VAC	>80	>0.9	3	120°	-20°C~+40°C	IP65/IK10	Polycarbonate	II

Standard Lifespan	Premium Lifespan	Standard	Emergency Lumen	Battery
L70B50: 50,000h	L70B50: 125,000h / L80B10: 65,000h	EN60598-2-1/EN55015/EN62778/EN60598-2-22	200lm~400lm	3h Duration

Model	Carton (L x W x H)	QTY/CTN	QTY/20'GP	QTY/40'GP	QTY/40'HQ
V290	46 x 31 x 31 cm	4 pcs	2260 PCS / 565 CTNS	4976 PCS / 1244 CTNS	5608 PCS / 1402 CTNS
V350	47 x 37 x 37 cm	4 pcs	1552 PCS / 388 CTNS	3416 PCS / 854 CTNS	3852 PCS / 963 CTNS